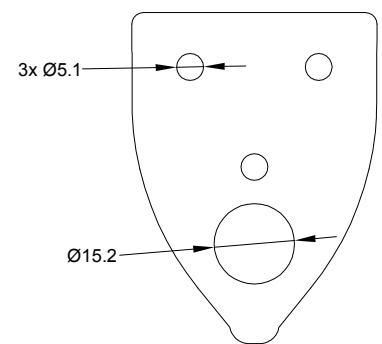
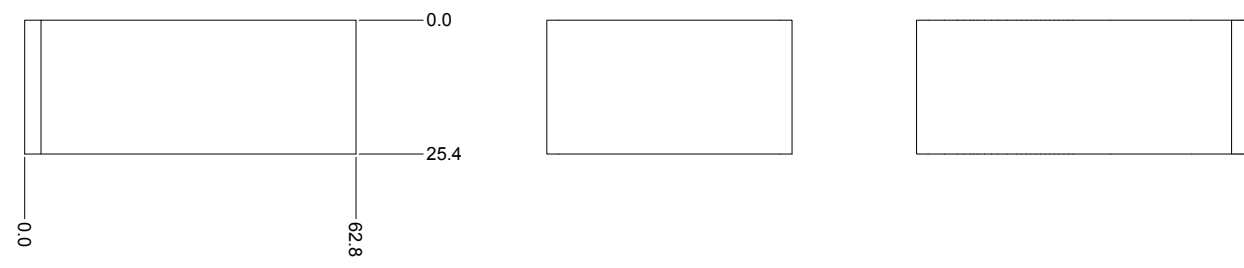
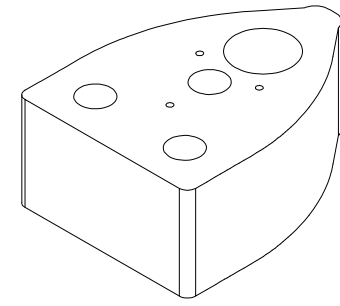
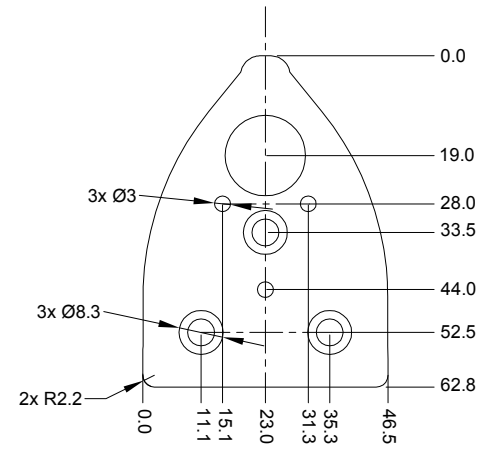


Revision Notes.		
Checked By: -	Approved By: -	Date Released: -



- NOTES:
1. COLOUR: BLACK.
  2. TOLERANCE: 0.5MM
  3. MATERIAL: POLYURETHANE (TPU) 90A.
  4. TO BE SUPPLIED IN CLEAR PRESS SEALED BAG WITH 3x 20MM SELF TAPPING SCREWS.
  5. MOUNTING SCREWS SHOULD NOT BE TIGHTENED GREATER THAN 5Nm OF TORQUE.
  6. FOR GIFTBOX LABEL TO REFER TO LATEST REVISION OF DRAWING NUMBER: BE-001909-XX-12.
  7. SLIGHT SURFACE DEFORMATION IS ALLOWABLE BUT SHOULD NOT AFFECT PRODUCT PERFORMANCE OR AESTHETICS ONCE INSTALLED.

**PROPRIETARY NOTICE**  
 THIS DESIGN AND TECHNICAL INFORMATION APPEARING ON THIS DRAWING IS THE PROPERTY OF BRIGADE ELECTRONICS, AND IS DISCLOSED IN CONFIDENCE. IT IS NOT TO BE COPIED, REPRODUCED, REVEALED TO OR EXPROPRIATED BY OTHERS, EITHER IN WHOLE OR IN PART WITHOUT THE EXPRESS WRITTEN CONSENT OF BRIGADE ELECTRONICS.



Assembly Pl Approval B.READ - 26/01/12	Approved by S.MATTHEWS	Checked by M.BUTLER	Drawn by J.NEWMAN
Angle of Projection 	Units mm	Scale N/A	Released 06/02/12
Status RELEASED	SP-3XX-25		
Stock Code 3976	BE-001758-00-11		